

LZOOM RGBW1915PM



CE ∇ \oplus IP20 LED \sim 0.2m t_a 40°C t_c 150°C

User Manual

KEEP THIS MANUAL FOR FUTURE NEEDS

1 SAFETY INSTRUCTIONS



CAUTION

Be careful with your operations. With a dangerous voltage you can suffer a dangerous electric shock when touching wires!

This device has left the factory in perfect condition. In order to maintain this condition and to ensure a safe operation, it is absolutely necessary for the user to follow the safety instructions and warning notes written in this user manual.



IMPORTANT

Damages caused by the disregard of this user manual are not subject to warranty. The dealer will not accept liability for any resulting defects or problems.

If the device has been exposed to temperature changes due to environmental changes, do not switch it on immediately. The arising condensation could damage the device. Leave the device switched off until it has reached room temperature.

This device falls under protection-class I. Therefore it is essential that the device be earthed.

The electric connection must carry out by qualified person. The device shall only be used with rate voltage and frequency.

Make sure that the available voltage is not higher than stated at the end of this manual.

Make sure the power cord is never crimped or damaged by sharp edges. If this would be the case, replacement of the cable must be done by an authorized dealer.

Always disconnect from the mains, when the device is not in use or before cleaning it. Only handle the power cord by the plug. Never pull out the plug by tugging the power cord.

During initial start-up some smoke or smell may arise. This is a normal process and does not necessarily mean that the device is defective, it should decrease gradually.

Please don't project the beam onto combustible substances.

Fixtures cannot be installed on combustible substances, keep more than 50cm distance with wall for smooth air flow, so there should be no shelter for fans and ventilation for heat radiation.

If the external flexible cable or cord of this luminaire is damaged, it shall be exclusively replaced by the manufacturer or his service agent or a similar qualified person in order to avoid a hazard.

23	15	Macro Function	0-49	No function
			50-99	Effect display
			100-149	Auto Run1
			150-199	Auto Run2
			200-255	Sound Activated
24	16	Reset	0-250	No function
			251-255	Reset in 3 seconds

10 MAINTENANCE AND CLEANING

The following points have to be considered during the inspection:

- 1) All screws for installing the devices or parts of the device have to be tightly connected and must not be corroded.
- 2) There must not be any deformations on the housing, color lenses, fixations and installation spots (ceiling, suspension, trussing).
- 3) Mechanically moved parts must not show any traces of wearing and must not rotate with unbalances.
- 4) The electric power supply cables must not show any damage, material fatigue or sediments.

Further instructions depending on the installation spot and usage have to be adhered by a skilled installer and any safety problems have to be removed.



CAUTION

Disconnect from mains before starting maintenance operation.



In order to make the lights in good condition and extend the life time, we suggest a regular cleaning to the lights.

- 1) Clean the inside and outside lens each week to avoid the weakness of the lights due to accumulation of dust.
- 2) Clean the fan each week.
- 3) A detailed electric check by approved electrical engineer each three month, make sure that the circuit contacts are in good condition, prevent the poor contact of circuit from overheating.

We recommend a frequent cleaning of the device. Please use a moist, lint-free cloth. Never use alcohol or solvents.

There are no serviceable parts inside the device. Please refer to the instructions under "Installation instructions".

Should you need any spare parts, please order genuine parts from your local dealer.

9 DMX CHANNELS

Channels	Functions	Values	Description
24B	16B		
1	1	Pan	0-255 PAN Movement, 0-540°
2	2	Pan Fine	0-255 Fine control of Pan movement
3	3	Tilt	0-255 Tilt Movement, 0-270°
4	4	Tilt Fine	0-255 Fine control of Tilt movement
5	5	Speed	0-255 Speed control of PAN/TILT movement
6	12	Zoom	0-255 0-100% Linear zoom from 8°-50°
7	6	Dimmer	0-255 0-100% From dark to bright
8	7	Strobe	0-003 No function
			004-095 Strobe effect from slow to fast, 1-25Hz
			096-176 Random strobe effect
			177-255 Pulse strobe effect
8	Red	0-255	0-100% Red dimmer from dark to bright
9	Green	0-255	0-100% Green dimmer from dark to bright
10	Blue	0-255	0-100% Blue dimmer from dark to bright
11	White	0-255	0-100% White dimmer from dark to bright
9	Red 1	0-255	0-100% Red 1 dimmer from dark to bright
10	Green 1	0-255	0-100% Green 1 dimmer from dark to bright
11	Blue 1	0-255	0-100% Blue 1 dimmer from dark to bright
12	White 1	0-255	0-100% White 1 dimmer from dark to bright
13	Red 2	0-255	0-100% Red 2 dimmer from dark to bright
14	Green 2	0-255	0-100% Green 2 dimmer from dark to bright
15	Blue 2	0-255	0-100% Blue 2 dimmer from dark to bright
16	White 2	0-255	0-100% White 2 dimmer from dark to bright
17	Red 3	0-255	0-100% Red 3 dimmer from dark to bright
18	Green 3	0-255	0-100% Green 3 dimmer from dark to bright
19	Blue 3	0-255	0-100% Blue 3 dimmer from dark to bright
20	White 3	0-255	0-100% White 3 dimmer from dark to bright
21	13	Built-in Program	0-255 Built-in programs
22			14

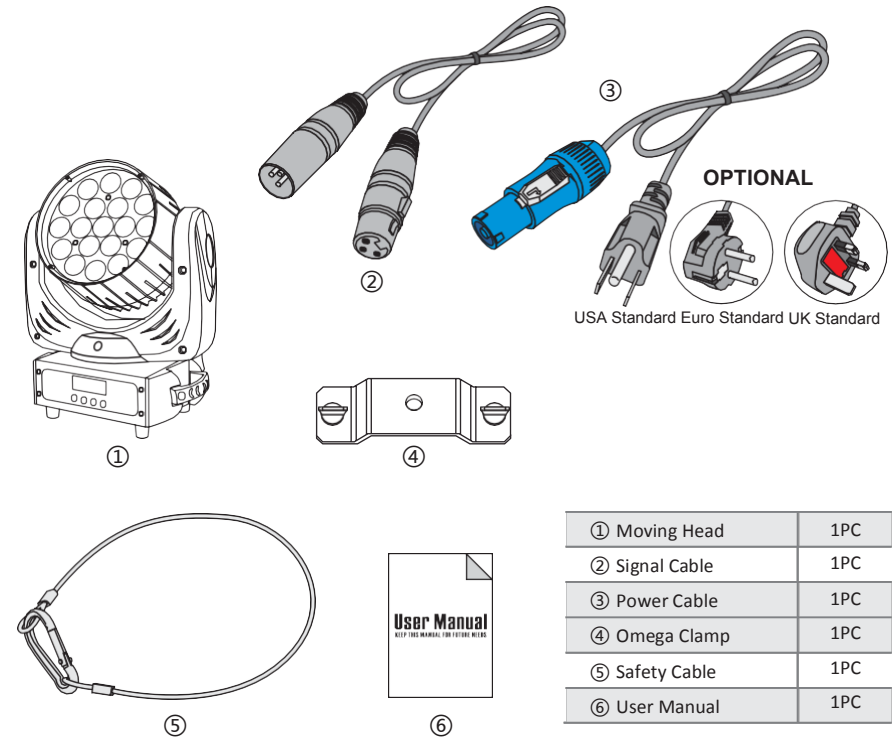
2	2	Pan Fine	0-255	Fine control of Pan movement
3	2	Tilt	0-255	Tilt Movement, 0-270°
4	4	Tilt Fine	0-255	Fine control of Tilt movement
5	3	Speed	0-255	Speed control of PAN/TILT movement
6	4	Zoom	0-255	0-100% Linear zoom from 8°-50°
7	5	Dimmer	0-255	0-100% Linear dimmer from dark to bright
			0-003	No function
8	6	8	Strobe	004-095 Strobe effect from slow to fast, 1-25Hz
				096-176 Random strobe effect
				177-255 Pulse strobe effect
7	7	Red	0-255	0-100% Red dimmer from dark to bright

2 UNPACKING

Thank you for choosing our LZOOM 1915PM. For your own safety, please read this manual before installing the device. This manual covers the important information on installation and applications. Please install and operate the fixture with following instructions. Meanwhile, please keep this manual well for future needs.

The LZOOM 1915PM is made of a new type of high temperature strength of engineering plastics and cast aluminum casing with nice outlook. The fixture is designed and manufactured strictly following CE standards, complying with international standard DMX512 protocol. It's available independently controlled and linkable with each other for operation. And it is applicable for large-scale live performances, theater, studio, nightclubs and discos.

The LZOOM 1915PM adopts 19PCS 4-IN-1 15W LEDs which features high brightness and stability. Please carefully unpack it when you receive the fixture and check whether it is damaged during the transportation. And please check whether the following items are included inside the box:



① Moving Head	1PC
② Signal Cable	1PC
③ Power Cable	1PC
④ Omega Clamp	1PC
⑤ Safety Cable	1PC
⑥ User Manual	1PC

3 FEATURES & SPECIFICATIONS

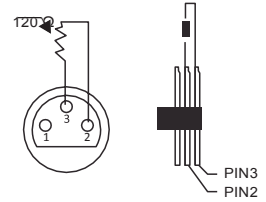
Features

- 19PCS 15W 4-IN-1 LEDs RGBW
- LEDs in 3 sections and each section controllable individually
- Specific optic system of highly efficient elements
- Motorized zoom 10° -60°
- High light output with 3990LUX(8°) and 483LUX(50°) @7M at full RGBW
- 50,000 hours lifespan and low power consumption
- Amazing RGBW color mixing
- High efficiency LED shutter with variable speed
- Smooth LED dimmer
- LED rainbow effect
- 10 built-in default programs with Macro effect
- Strobe effect with 1-25 flashes per second
- Random strobe effect and pulse strobe effect
- General dimming and blackout for all four colors
- 2 DMX channel modes, 16CH/24CH
- DMX512, master-slave and sound activated controllable or auto operation
- Blue LCD display
- Lower noise and efficient FAN cooling system
- Powercon IN/OUT
- 45°C max ambient temperature
- IP20 protection rating
- 55dB at 3' dB rating
- 3-pin DMX connectors IN/OUT

Specifications

- Input Voltage:** AC90-260V 50/60Hz
- LED Quantities:** 19*15W 4-IN-1 LEDs RGBW
- Control Signal:** DMX512, master-slave and sound activated or auto operation
- Control Channel:** 16/24 DMX Channels
- Power Consumption:** 295W
- Dimensions:** 215(D)*320(W)*420(H)mm
- Packing Dimensions:** 460(D)*290(W)*370(H)mm
- Net Weight:** 6.85kg
- Gross Weight:** 8.5kg

For installations where the DMX cable has to run a long distance or is in an electrically noisy environment, such as in a discotheque, it is recommended to use a DMX terminator. This helps in preventing corruption of the digital control signal by electrical noise. The DMX terminator is simply an XLR plug with a 120 Ω resistor connected between pins 2 and 3, which is then plugged into the output XLR socket of the last fixture in the chain. Please see illustrations below.



8 MENU OPERATIONS

DMX Settings	DMX 512 Address	001-512
	Channel settings	16CH/24CH
Run Mode	DMX	
	Slow	
	Fast	
	Sound	
	Manual	
PAN	Invert PAN	OFF
		ON
	Invert TILT	OFF
		ON
Display set	Invert word	OFF
		ON
	EN/ 中	
	LCD Backlight	OFF
ON		
Manual Set	Manual	
Sound sense	0~100%	
System Set	System information	
	Default Settings	OFF
		ON
	Code Settings	OFF
		ON
Reset	OFF/ON	

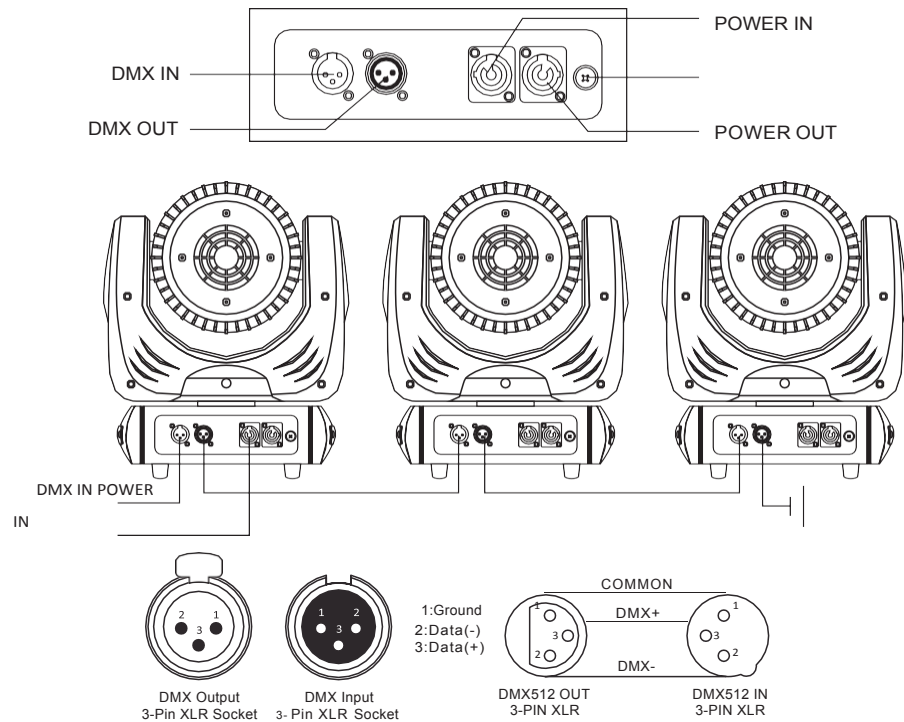
Regardless of the rigging option you choose for your LZOOM 1915PM, always be sure to secure your fixture with a safety cable. The fixture provides a built-in rigging point for a safety cable on the hanging bracket as illustrated above. Be sure to only use the designated rigging point for the safety cable and never secure a safety cable to a carrying handle.

7 DMX-512 CONTROL CONNECTIONS

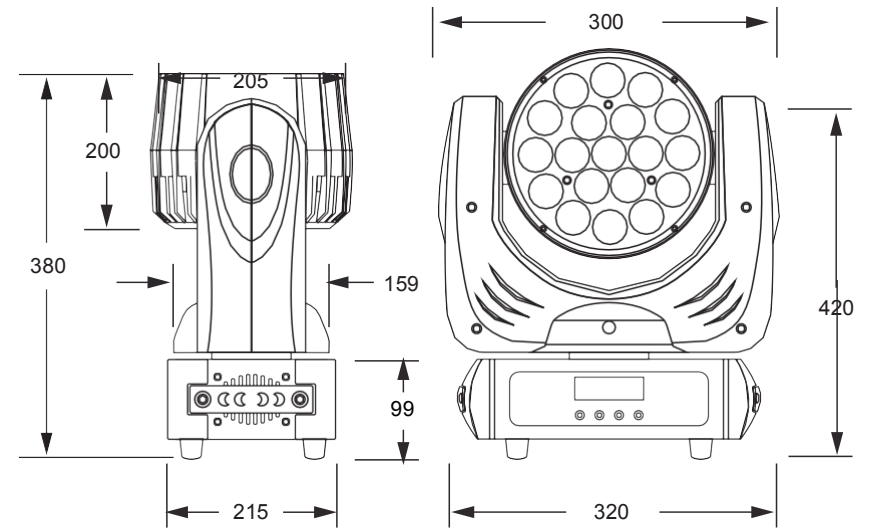
Connect the provided XLR cable to the female 3-pin XLR output of your controller and the other side to the male 3-pin XLR input of the moving head. You can chain multiple

Moving head together through serial linking. The cable needed should be two core, screened cable with XLR input and output connectors. Please refer to the diagram below.

DMX-512 connection with DMX terminator



.07.

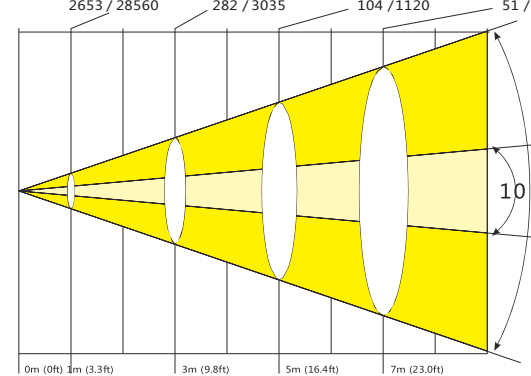


4 PHOTOMETRIC DATA

Photometric Beam Angle Data $8^{\circ} \sim 50^{\circ}$ Beam Angle LUX $\times 0.0929 = FC$

R	2900 / 31200	415 / 4470	190 / 2045	96 / 1030
	672 / 7230	81 / 870	27 / 290	14 / 150
G	2074 / 22320	381 / 4105	137 / 1480	71 / 760
	544 / 5860	62 / 675	20 / 220	11 / 120
B	3358 / 36150	614 / 6615	224 / 2415	108 / 1165
	877 / 9435	104 / 1120	37 / 400	19 / 200
W	3980 / 42840	674 / 7250	236 / 2540	122 / 1310
	964 / 10380	108 / 1160	36 / 390	19 / 200
RGBW	10033 / 108000	1741 / 18740	641 / 6900	329 / 3540
	2653 / 28560	282 / 3035	104 / 1120	51 / 550

(FC/LUX)



.04.

5 OPERATION INSTRUCTIONS

- The moving head is for beam effect for on-site decoration purpose.
- Don't turn on the fixture if it's been through severe temperature difference like after transportation because it might damage the light due to the environment changes. So make sure to operate the fixture until it is in normal temperature.
- This light should be keep away from strong shaking during any transportation or movement.
- Don't pull up the light by only the head, or it might cause damages to the mechanical parts.
- Don't expose the fixture in overheat, moisture or environment with too much dust when installing it. And don't lay any power cables on the floor. Or it might cause electronic shock to the people.
- Make sure the installation place is in good safety condition before installing the fixture.
- Make sure to put the safety chain and check whether the screws are screwed properly when installing the fixture.
- Make sure the lens are in good condition. It's recommended to replace the units if there are any damages or severe scratch.
- Make sure the fixture is operated by qualified personnel who knows the fixture before using.
- Keep the original packages if any second shipment is needed.
- Don't try to change the fixtures without any instruction by the manufacturer or the appointed repairing agencies.
- It is not in warranty range if there are any malfunctions from not following the user manual to operate or any illegal operation, like shock short circuit, electronic shock, lamp broke, etc.

6 INSTALLATIONS

Cautions: For added protection mount the fixtures in areas outside walking paths, seating areas, or in areas were the fixture might be reached by unauthorized personnel.

Before mounting the fixture to any surface, make sure that the installation area can hold a minimum point load of 10 times the device's weight.

Fixture installation must always be secured with a secondary safety attachment, such as an appropriate safety cable.

Never stand directly below the device when mounting, removing, or servicing the fixture.

from a ceiling, or set on a flat level surface (see illustration below). Be sure this fixture is kept at least 0.5m (1.5 ft) away from any flammable materials (decoration etc.).

Always use and install the supplied safety cable as a safety measure to prevent accidental damage and/or injury in the event the clamp fails.

Mounting points: Overhead mounting requires extensive experience, including amongst others calculating working load limits, a fine knowledge of the installation material being used, and periodic safety inspection of all installation material and the fixture. If you lack these qualifications, do not attempt the installation yourself. Improper installation can result in bodily injury.

Be sure to complete all rigging and installation procedures before connecting the main power cord to the appropriate wall outlet.

Clamp Mounting: The LZOOM 1915PM provides a unique mounting bracket assembly that integrates the bottom of the base, and the safety cable rigging point in one unit (see the illustration below). When mounting this fixture to truss be sure to secure an appropriately rated clamp to the included omega bracket using a M10 screw fitted through the center hole of the "omega bracket". As an added safety measure be sure to attached at least one properly rated safety cable to the fixture using on of the safety cable rigging point integrated in the base assembly.

